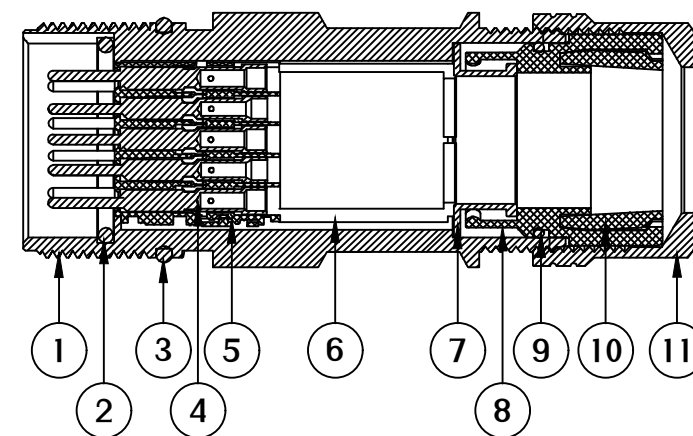
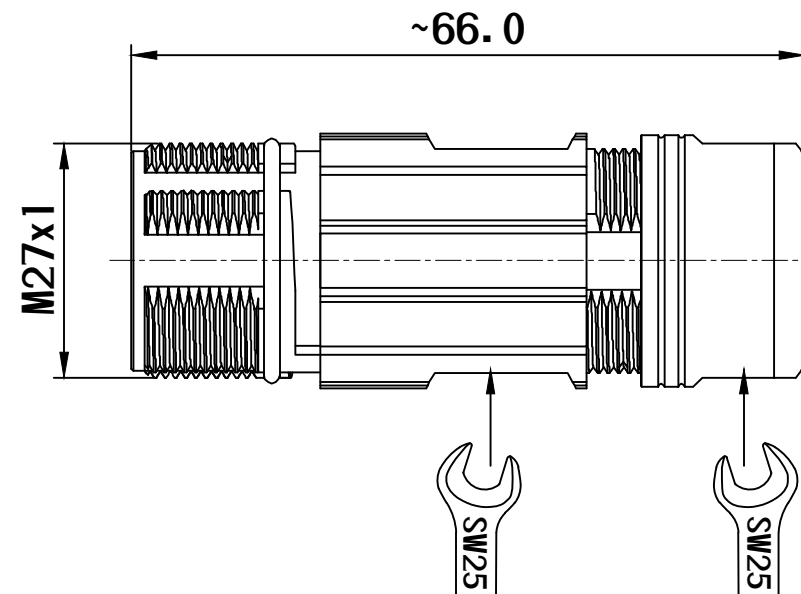
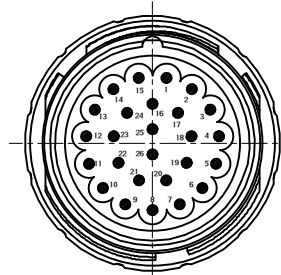
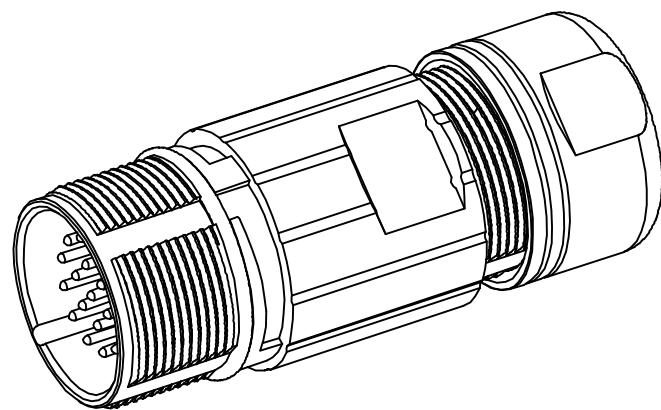


REV	ECN NO	DESCRIPTION	DATE	APPROVED
AA	-	NEW RELEASED	2020.03.25	CLARA

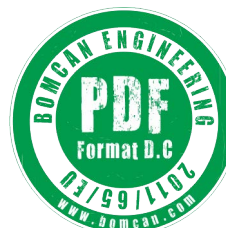


**Material:**

1. M27 Metal Thread: Zinc Alloy, Nickel-Plated
2. O-Ring: NBR, Black
3. O-Ring: NBR, Black
4. Contact: Copper Alloy, Gold-Plated
5. Insulation: PA, Black
6. Insulation Sleeve: PA, Black
7. Clasp ring: Copper Alloy, Nickel-Plated
8. O-Ring: NBR, Black
9. Cable Clamp: PA, Black
10. Cable Seal: NBR, Black
11. Pressing Nut: Copper Alloy, Nickel-Plated

**Technical Data:**

1. Standard: DIN 43650
2. Rated Voltage: 60V AC/DC
3. Rated Current: 7.5A
4. Rated Temperature: -40°C~+125°C
5. Durability: ≥500 Times Cycles
6. Protection Degree: IP67 (Correct locking state)



This drawing contains information that is proprietary to BOMCAN and should not be used without written permission. Powered by bomcan.com

DESCRIPTION	M27 CABLE CONNECTOR 26PIN SIGNAL PLUG FIELD INSTALLATION			
DWG NO	M27A26PM01ST	BOMCAN PART No	M27A26PM01ST	
DRAWN BY	CLARA 2020.03.25	CUSTOMER P/N	-	
CHECKED BY	CALEB 2020.03.25	SIZE: A4	SHEET	UNIT
APPROVED BY	BILL 2020.03.25	REV: AA	1 of 1	MM
			SCALE	Third angle projection
			FREE	