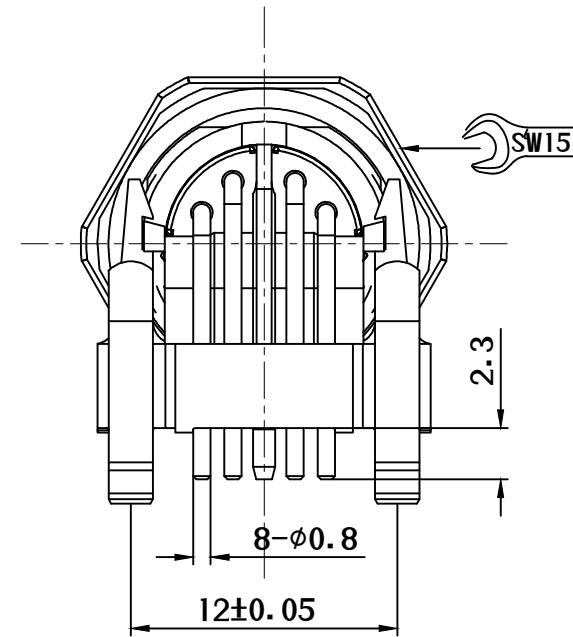
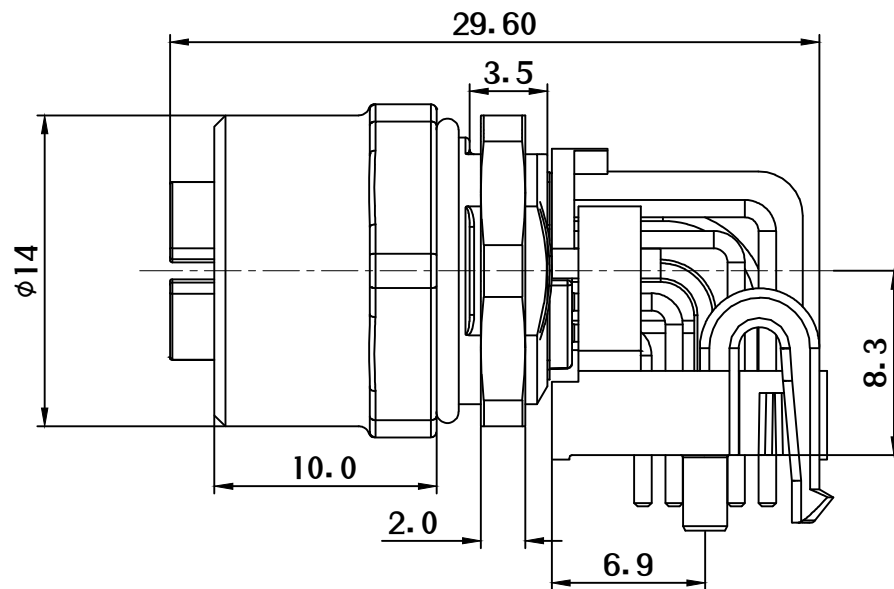
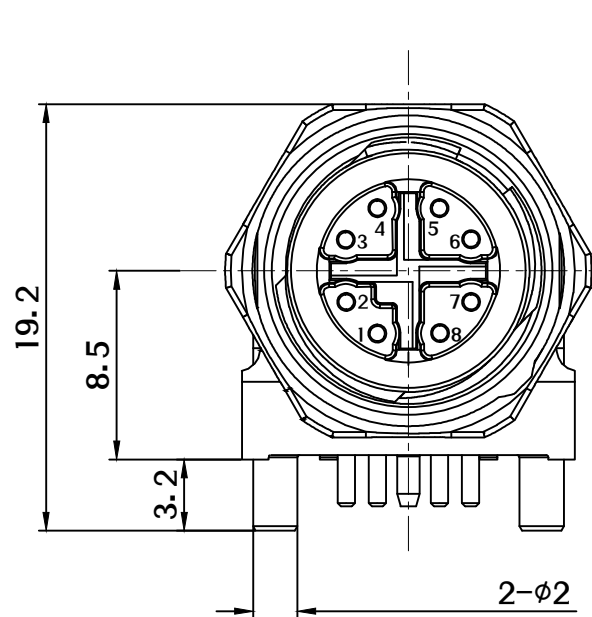


1		2		3		4		5		6		7		Customer drawing
REV	ECN NO	DESCRIPTION		DATE	APPROVED									
AA	-	NEW RELEASED		2020.03.25	CLARA									

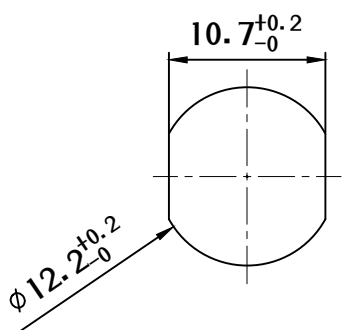


Material:

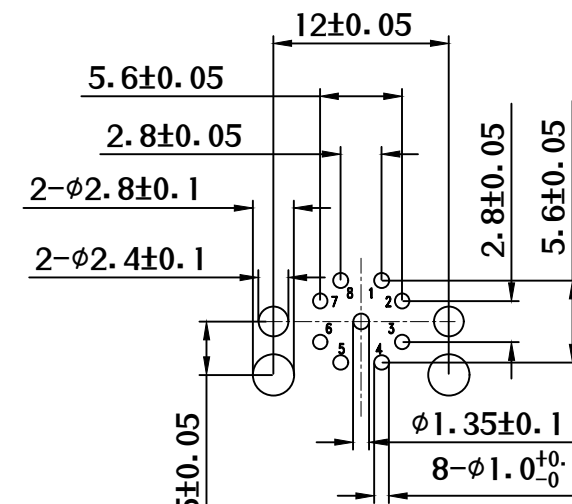
1. Insulation Housing: PA, Black
2. Connect NUT: Copper Alloy, Nickel-Plated
3. O-Ring: BNR, Black
4. O-Ring: BNR, Black
5. M12 Shell Housing: Zinc Alloy, Nickel-Plated
6. Positioning Block: PA, Black
7. Inner Shell: Zinc Alloy, Nickel-Plated
8. Contact: Copper Alloy with Gold Plated

Technical Data:

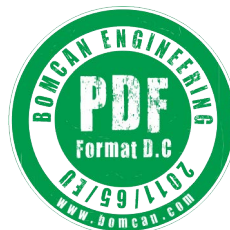
1. Standard: IEC61076-2-109
2. Rated Voltage: DC60V/AC50V
3. Rated Current: 0.5A
4. Temperature Range: -40°C~+85°C
5. Mating Life: ≥500 Times Cycles
6. Protection Degree: IP67 (Correct locking state)
7. Transmission rate: 10Gbit/s



Panel cut-out



Recommend P.C.B Layout



UNMARKED TOLERANCES	
DIMENSIONS	TOLERANCE
x.	±1.0
x.x	±0.5
x.xx	±0.25
0 to 500	+15 / -0
< 501	+3% / -0 of length
ANGLES	
x°	±1°



This drawing contains information that is proprietary to BOMCAN and should not be used without written permission. Powered by bomcan.com

DESCRIPTION	M12 DEVICE CONNECTOR X CODE ANGLED PCB SOCKET ETHERNET		
DWG NO	M12X08SD01RA	BOMCAN PART No	M12X08SD01RA
DRAWN BY	CLARA 2020.03.25	CUSTOMER P/N	-
CHECKED BY	CALEB 2020.03.25	SIZE: A3	SHEET
APPROVED BY	BILL 2020.03.25	REV: AA	1 of 1
		UNIT	SCALE
		mm	Free
		Third angle projection	

www.bomcan.com

F