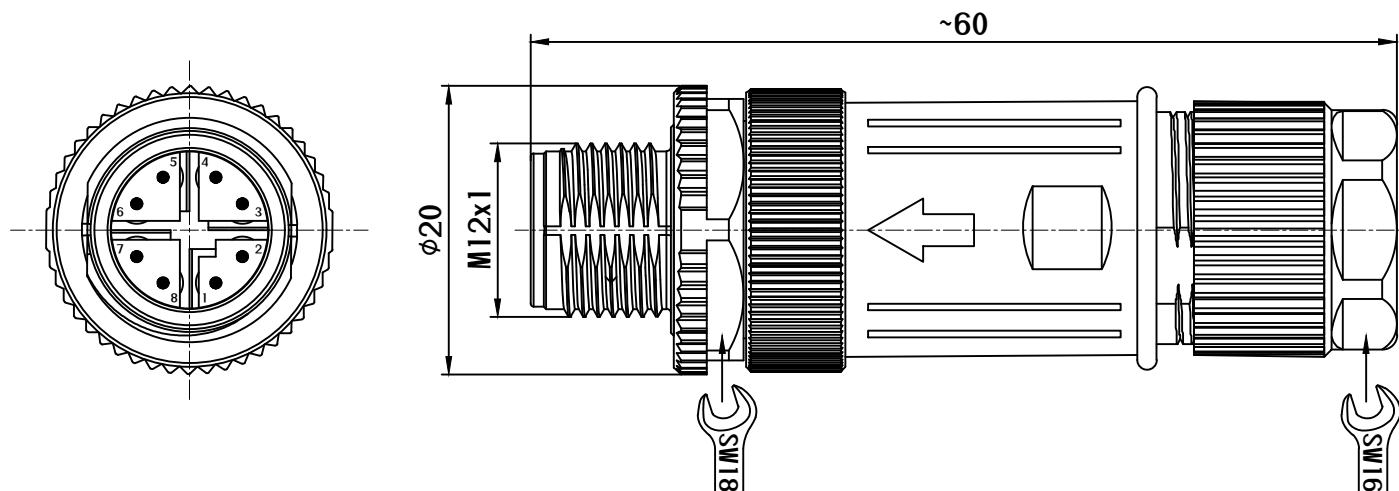


REV	ECN NO	DESCRIPTION	DATE	APPROVED
AA	-	NEW RELEASED	2020.07.28	CLARA



1. Material:

1. Metal Thread Housing: Zinc Alloy, Plated Nickel.
2. Contact: Copper Alloy, Plated Gold.
3. Metal Shrapnel: Stainless Steel, Plated Nickel.
4. Snap Ring: Stainless Steel, Plated Nickel.
5. Metal Shell: Zinc Alloy, Plated Nickel.
6. Insulation Housing: PA, Black, UL94V-0.
7. Clamp Ring: Copper Alloy, Plated Nickel.
8. O-Ring: NBR, Black.
9. Cable Clamp: PA, Black.
10. Sealing Gasket: NBR, Black.
11. Pressing Nut: Zinc Alloy, Plated Nickel.

Technical Data:

1. Standard: IEC61076-2-109
2. Rated Voltage: 60V DC
3. Rated Current: 0.5A
4. Rated Temperature: $-40^{\circ}\text{C} \sim +85^{\circ}\text{C}$
5. Durability: ≥ 100 Times Cycles
6. CAT6 transmission speed is 10Gbps
7. Protection Degree: IP67 (Correct locking state)



This drawing contains information that is proprietary to BOMCAN and should not be used without written permission.
Powered by bomcan.com

DESCRIPTION	M12 X CODE ETHERNET CONNECTOR METAL STRAIGHT PLUG ASSEMBLY			
DWG NO	M12X08PM01ST	BOMCAN PART No	M12X08PM01ST	
DRAWN BY	CLARA 2020.07.28	CUSTOMER P/N	-	
CHECKED BY	CALEB 2020.07.28	SIZE: A4	SHEET	UNIT
APPROVED BY	BILL 2020.07.28	REV: AA	1 of 1	MM
			SCALE	Third angle projection
			FREE	