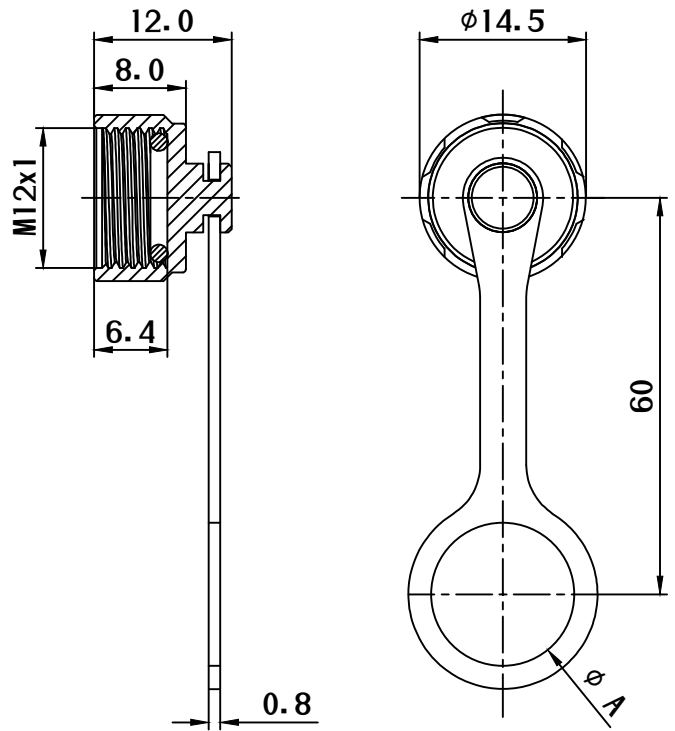


REV	ECN NO	DESCRIPTION	DATE	APPROVED
AA	-	NEW RELEASED	2015.06.18	CLARA



Dimensions "A"	Used for
OD=3mm	Square Socket
OD=11.5mm	M12x1
OD=13mm	Cable
OD=15mm	PG9 & M16



For plug connectors

- Material specifications:**
- 1. Shell: PA, Black
 - 2. O-ring: Rubber, Black
 - 3. Flexibility ribbon: PU, Black



This drawing contains information that is proprietary to BOMCAN and should not be used without written permission. Powered by bomcan.com

DESCRIPTION	M12x1 THREAD CONNECTOR ACCESSORIES PROTECTION DUST CAP			
DWG NO	CAP-M1201	BOMCAN PART No	-	
DRAWN BY	CLARA 2015.06.18	CUSTOMER P/N	-	
CHECKED BY	CALEB 2015.06.18	SIZE: A4	SHEET	UNIT
APPROVED BY	BILL 2015.06.18	REV: AA	1 of 1	MM
			SCALE	Third angle projection
			FREE	